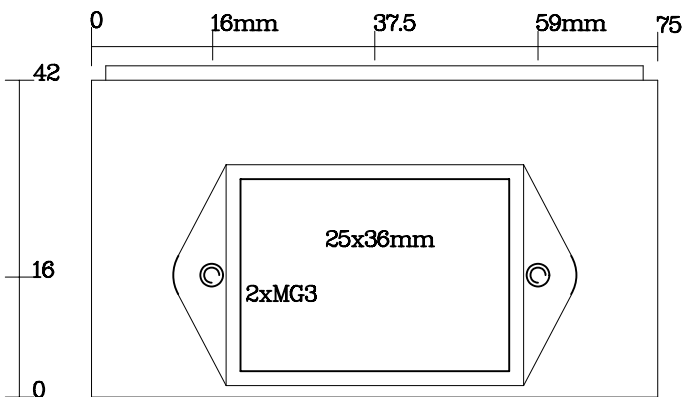
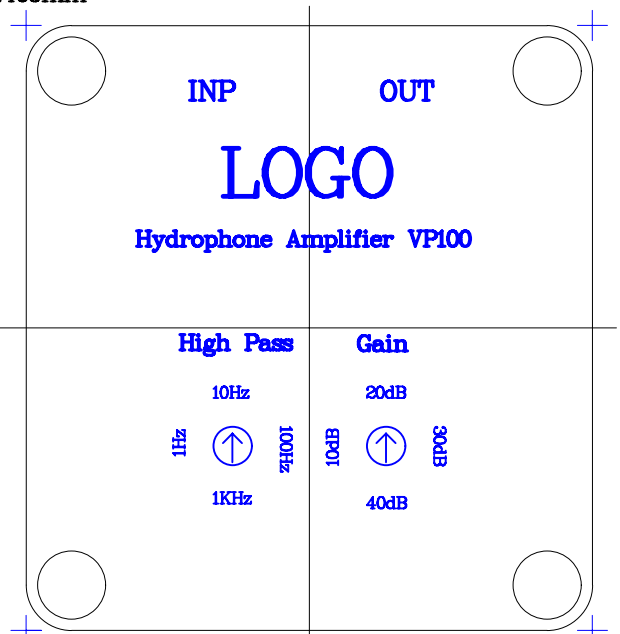
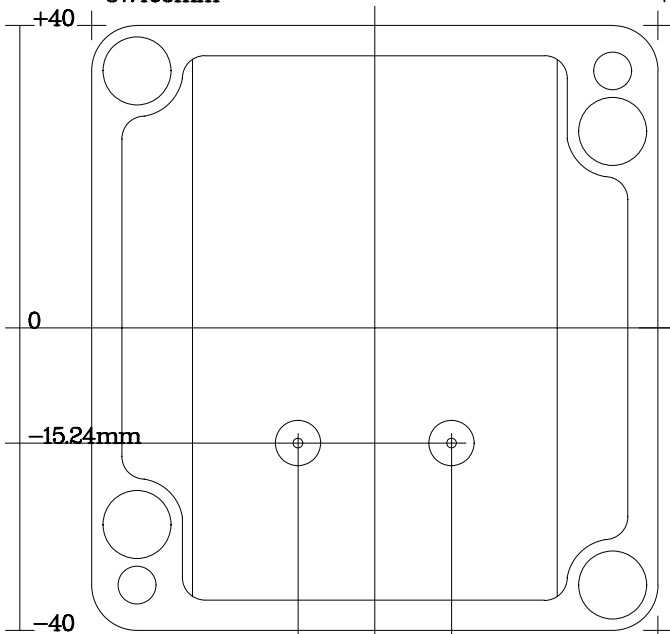


75 55mm 37.5mm 20mm 0

-37.465mm +37.465mm



File : A2010B_LOGO.PCB	
Kasse for 9Volt Batteri	
Antal:	Tolerance: 0.1
Matr: RS 509-305	Size 1:1
etec / Torben Roenne Industrivaenget 8A tel:43661236 gsm:40310020	
Date: 20110413	